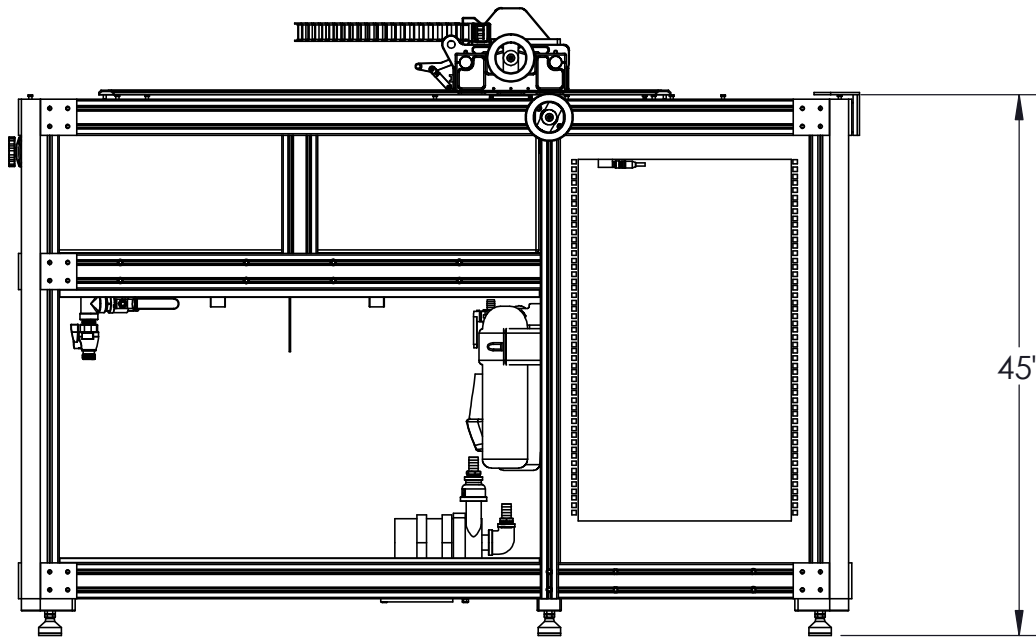


REVISIONS			
LTR	DESCRIPTION	DATE	APPROVED

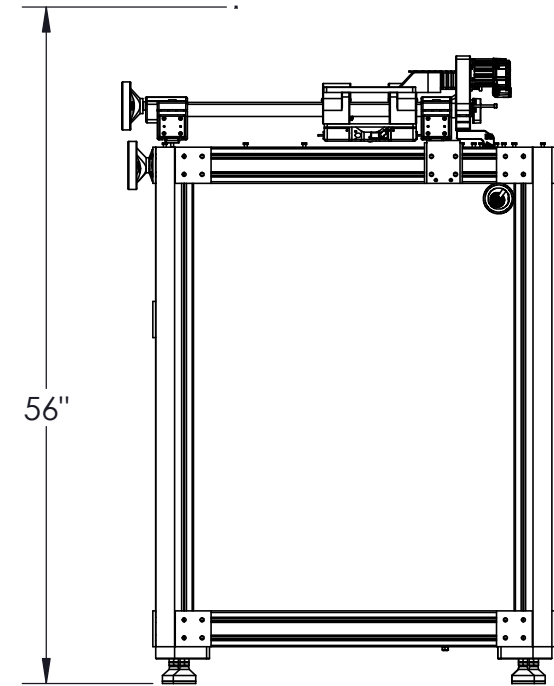
34"

36"

70"



45"




56"

THE INFORMATION CONTAINED IN THIS DRAWING IS THE SOLE PROPERTY OF COBRA SCIENTIFIC, LLC. ANY REPRODUCTION IN PART OR AS A WHOLE WITHOUT THE WRITTEN PERMISSION OF COBRA SCIENTIFIC, LLC IS PROHIBITED.

CONTRACT NO.	
NEXT ASSY	USED ON
APPLICATION	

UNLESS OTHERWISE NOTED TOLERANCES ARE:	
DECIMALS	ANGLES
.XX ± .01	.XXX ± .005
	± 30°
MATERIAL	N/A
FINISH	N/A
TREATMENT	N/A

DIMENSIONS ARE IN INCHES DO NOT SCALE DRAWING	
APPROVALS	DATE
DRAWN	8-28-19
A.ALVES	
CHECKED	
MFG APPROVED	



3628 W Pendleton
Santa Ana, CA. 92704
PH: 714-340-7950
FX: 714-439-2100

TITLE	
DOC SYS 2	
SCALE	REV.
2:1	N/C
DWG. NO.	
510-0000-00	